

LiftUp – and away!





Attention to detail. Profile with integrated spring element for a perfect fit.

Fast access and clear view



LiftUp means more design freedom for storage units like caddies, wall-mounted cabinets and literature organizers.

The flap slides back into the unit, giving a clear view of the contents and optimal access. It's user-friendly and ergonomic. Straightforward assembly and easy adjustment functions are obvious benefits.

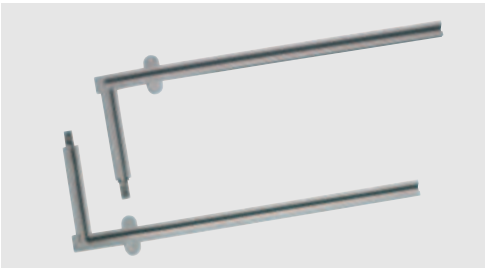
LiftUp fittings come in sets – three variants allow for flap thicknesses from 12 to 19 mm. User benefits, great performance, great price – what more could anyone want?





LiftUp flap fitting

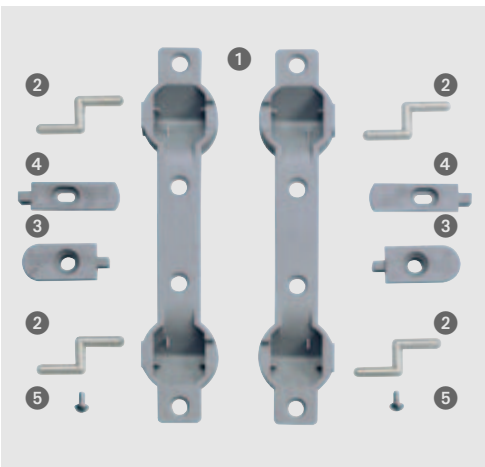
- For literatur and compartments
- Ideal for Caddys
- The inset flap is simple to install, saves space, is easy to operate and disappears almost completely in the cabinet
- For different flap thicknesses
- Max. flap width 1200 mm
- Max. flap weight 8 kg
- Flap heights 145 - 400 mm
- Height adjustment $\pm 1,25$ mm



Guide profile*

- Grey plastic

Item	Order no.	PU
Guide profile left/right	9 036 919	20 sets



Sets for LiftUp flap fitting

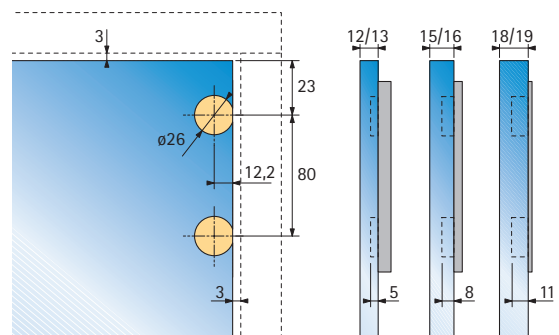
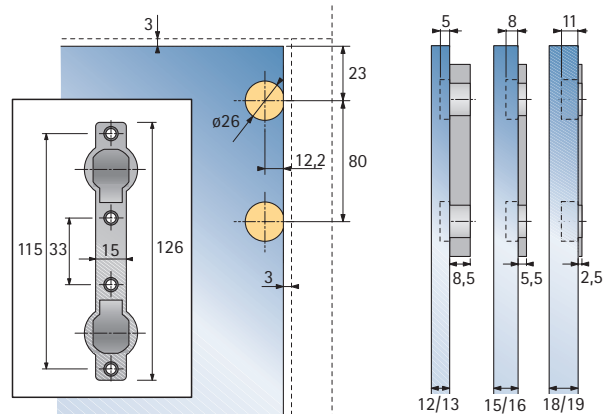
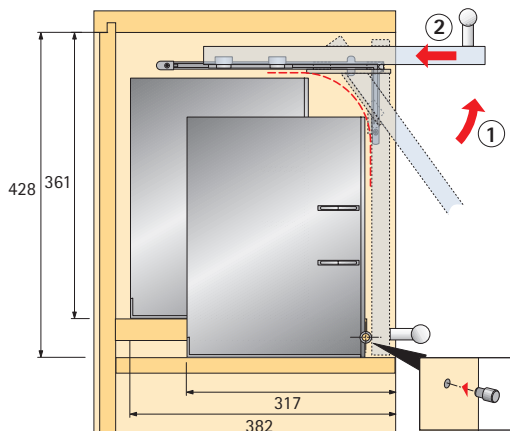
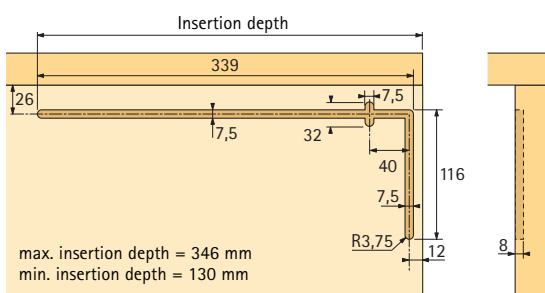
- For 12/13, 15/16 and 18/19 mm flap thickness

Set contents:

- ① Hinge
- ② Glider pin
- ③ Rear fitting
- ④ Front fitting
- ⑤ Adjusting screw
- All items plastic grey except for glider pin: zinc diecast

Flap thickness mm	Order no.	PU
12/13	9 027 669	40 sets
15/16	9 027 670	40 sets
18/19	9 027 671	40 sets

Mounting examples



12/13, 15/16 and 18/19 mm flap dimensions
 Maximum flap size: 1200 mm x 400 mm x 19 mm
 (max. 8 kg)

* We recommend to glue the guide profile with a PU-glue



Hettich Marketing- und Vertriebs GmbH & Co. KG
P.O. Box 1240 · 32269 Kirchlengern · Germany · Phone +49 05223 77-0 · E-mail: info@de.hettich.com

www.hettich.com