

Cargo plus



Kitchen capacity

Cargo plus



Few options in the kitchen offer as much storage space as a tall cupboard. But even then, the cupboard is often stacked so full it's hard to find spare space for just one more item. And then comes the problem of finding things when you want them in a hurry. Who wouldn't dream of being able to retrieve any stored item quickly and easily? A standard full extension Cargo plus is the answer.



"I must be able to get at things quickly"



"I need storage space for heavy items"



"Good design is important"



"I like it quiet in the kitchen"



"I must be able
to get at things quickly...
...even in tall larder units"



People want to be able to reach easily from either side into the very back of a larder unit. And a clear view into the storage space puts an end to activities that have no place in a modern kitchen – like crouching down to peer into the back of the cupboard. With a Cargo plus, kitchen users get loads of usable storage space, that is highly ergonomic, easy to access and utterly efficient.

It comes as no surprise that the larder unit with its full extension slide is near the top of the shopping list for a new kitchen. The standard full extension Cargo plus guarantees full user satisfaction – no half measures here!



"I must be able to get at things quickly...
...in base units too"



If Cargo plus makes sense for a full-height unit, it makes equal sense for base and end units. With a full extension slide as standard, life in the kitchen becomes that much easier. Quick access from both sides, also for slanted cabinets, means you're always standing on the right side. A Cargo either side of the hob turns this area into a highly professional work space. Good ergonomics and short distances score points for every kitchen.

The ball bearing slides are concealed behind a cover plate, so there's no risk of foodstuffs coming into contact with lubricants. And because no dirt particles can get into the ball bearing cage, the Cargo just keeps on running smoothly and quietly.



heavy-duty



"I need storage space for heavy items"

Cargo plus is the right storage for all provisions, large or small. Even a fully loaded larder unit is easy to move and convenient to get at. You know you can put your trust in slides with load capacities up to 70 kg or 120 kg.

"Good design is important"

Smooth contours with no sharp corners or unsightly weld beads. The curves of the Cargo plus frame are easy on the eye. The basket supports are out of sight inside the frame. Baskets are powder-coated in white, chrome or silver to match popular drawer systems and carousel solutions. With its combinations of practicality and attractive design, Cargo plus is a highly successful kitchen fitting.

Cargo blends perfectly into the overall look of the kitchen. Simple three-dimensional adjustment of the front panel and self-closing features on the top and bottom slides ensure a perfectly aligned front panel at all times.



practical



"I always look for practical details"

Rugged baskets cope easily with routine loads and can be repositioned to accommodate the occasional bigger item. At the same time, practical crosswise struts ensure that small items stay put.

quiet



"I like it quiet in the kitchen"

With bottles and cans jostling for space, larder units might rattle noisily when they're shut quickly. For peace and quiet, Silent System is the option to go for. The damping mechanism slows the door down over the final centimetres and any Cargo plus closes softly and quietly. A boon for noise-stressed ears.



"I expect to fit the units fast and without a hitch"



At the top Cargo PC plus has a practical quick-connect fitting as standard. The fitting is pushed into the slide – an audible click signals that the parts have locked – done! It couldn't be simpler.

The front panel is adjustable in three dimensions for perfect alignment in a matter of seconds.



Cargo BSF AB plus assembly

The front brackets with premounted front panel are inserted into the frame and screwed tight. The Cargo is then fixed at the correct height and aligned sideways via oval holes and pressure screws.



Height, depth and sides of Cargo PC plus and Cargo BSF AB plus are fully adjustable.



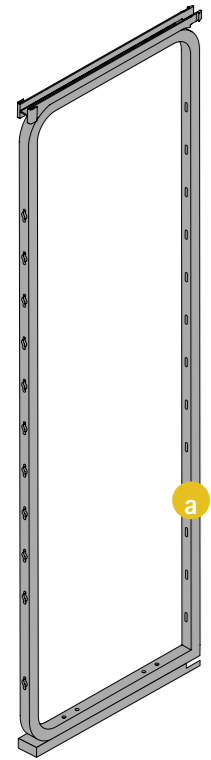
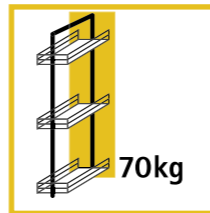
The close-meshed basket follows the contours of the frame to make use of every bit of space.



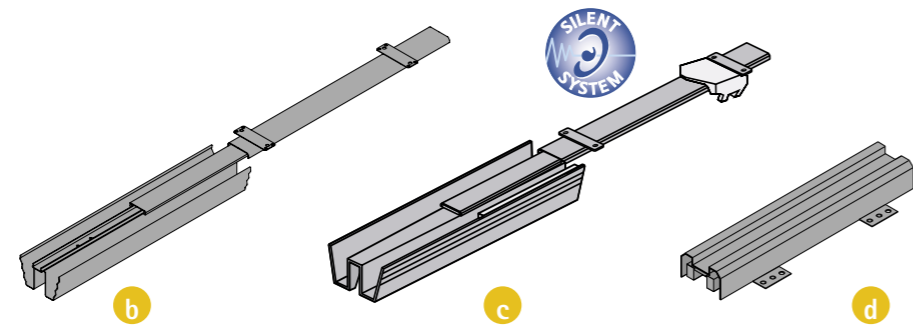
Basket plus contents can be lifted out if necessary – a practical feature that speeds up the kitchen routine.



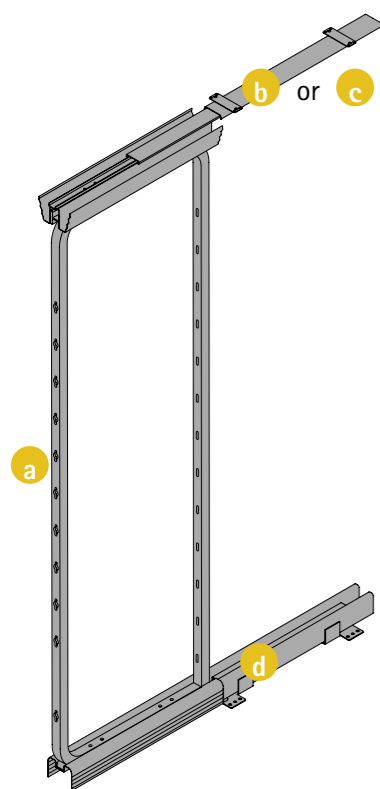
Cargo PC 70 plus Components



Cargo PC 70 plus frame complete



- a** Pull-out frame
- b** Top ball bearing slide with integrated self-closing feature including cover plate
- c** Top ball bearing slide with integrated Silent System including cover plate
- d** Bottom ball bearing slide with integrated self-closing feature including cover plate



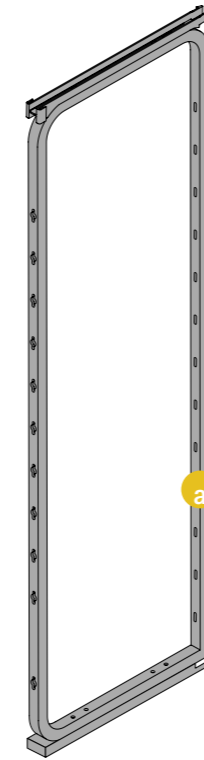
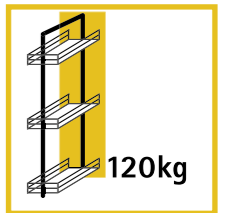
Cargo PC 70 plus frame complete

Item	Colour	PU 10 pcs	PU 40 pcs
Fixed frame (full extension) Customizable from 1150 to 2280 mm*	white silver	– Order numbers on request –	
Telescopic frame (full extension) 1150 to 1508 mm*	white silver	903 920 1 903 919 9	903 920 2 903 920 0
1508 to 1860 mm*	white silver	903 920 5 903 920 3	903 920 6 903 920 4
1860 to 2219 mm*	white silver	903 921 0 903 920 7	903 921 1 903 920 8
Fixed frame (full extension) with Silent System Customizable from 1150 to 2280 mm*	white silver	– Order numbers on request –	
Telescopic frame (full extension) with Silent System 1150 to 1508 mm*	white silver	903 913 1 903 912 9	903 913 2 903 913 0
1508 to 1860 mm*	white silver	903 913 5 903 913 3	903 913 6 903 913 4
1860 to 2219 mm*	white silver	903 913 9 903 913 7	903 914 0 903 913 8

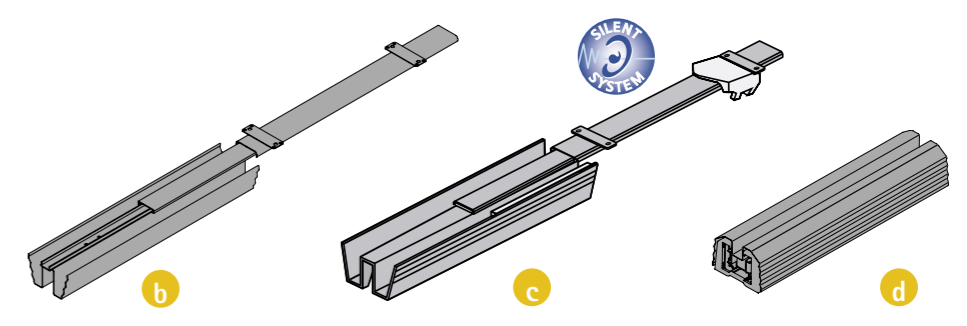
* Cabinet inside dimensions



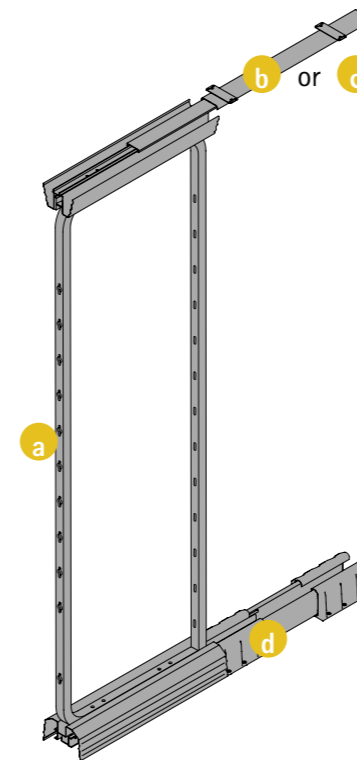
Cargo PC XL plus Components



Cargo PC XL plus frame complete



- a** Pull-out frame
- b** Top ball bearing slide with integrated self-closing feature including cover plate
- c** Top ball bearing slide with integrated Silent System including cover plate
- d** Bottom ball bearing slide with integrated self-closing feature including cover plate



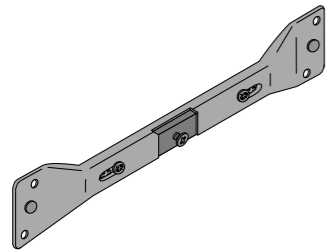
Cargo PC XL plus frame complete

Item	Colour	PU 10 pcs	PU 40 pcs
Fixed frame (full extension) Customizable from 1150 to 2280 mm*	white silver	– Order numbers on request –	
Telescopic frame (full extension) 1150 to 1508 mm*	white silver	903 921 4 903 921 2	903 921 5 903 921 3
1508 to 1860 mm*	white silver	903 921 8 903 921 6	903 921 9 903 921 7
1860 to 2219 mm*	white silver	903 922 2 903 922 0	903 921 3 903 922 1
Fixed frame (full extension) with Silent System Customizable from 1150 to 2280 mm*	white silver	– Order numbers on request –	
Telescopic frame (full extension) with Silent System 1150 to 1508 mm*	white silver	903 914 4 903 914 1	903 914 5 903 914 2
1508 to 1860 mm*	white silver	903 914 9 903 914 7	903 915 0 903 914 8
1860 to 2219 mm*	white silver	903 915 3 903 915 1	903 915 4 903 915 2

* Cabinet inside dimensions



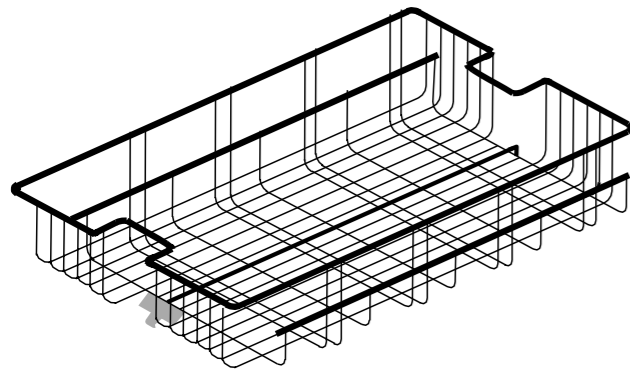
Cargo PC plus Components



Front attachment

	Colour	PU 10 pcs
for Cargo PC plus 300 mm unit width	white	108 006 6
	silver	901 112 3
for Cargo PC plus 400 mm unit width	white	108 007 4
	silver	901 112 4

Baskets



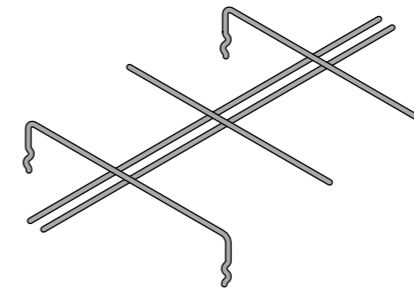
Colour	for Cargo PC plus, 300 mm unit width			
	PU 4 pcs	PU 5 pcs	PU 6 pcs	PU 25 pcs
white	108 008 9	108 009 0	108 009 1	108 009 2
silver	901 118 9	901 119 0	901 119 1	901 115 2
chrome	108 011 7	108 012 0	108 012 4	108 012 5

Colour	for Cargo PC plus, 400 mm unit width			
	PU 4 pcs	PU 5 pcs	PU 6 pcs	PU 25 pcs
white	108 013 4	108 013 7	108 013 8	108 014 0
silver	901 119 3	901 119 4	901 119 5	901 119 6



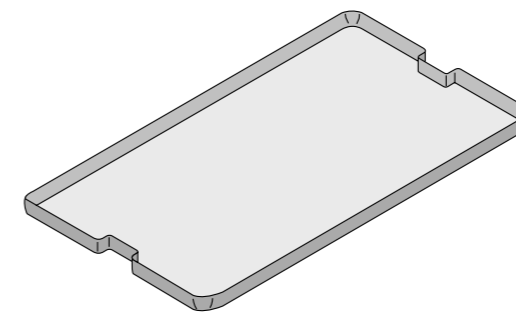
Basket connectors

	Colour	PU 500 pcs
for all Cargo PC baskets	black	900 245 6



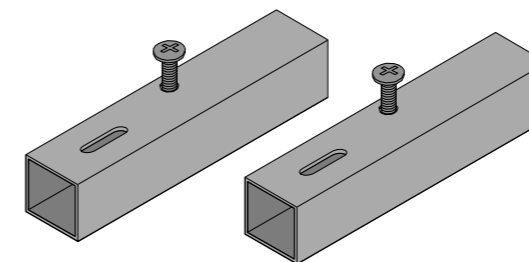
Bottle grid

	Colour	PU 10 pcs
for Cargo PC plus 300 mm unit width	white	102 061 1
	silver	901 219 3
	chrome	102 061 3
for Cargo PC plus 400 mm unit width	white	108 008 2
	silver	901 219 4
	chrome	108 008 3



Insert tray

	Colour	PU 10 pcs
for Cargo PC plus 300 mm unit width	mottled	900 373 9
for Cargo PC plus 400 mm unit width	mottled	900 373 6



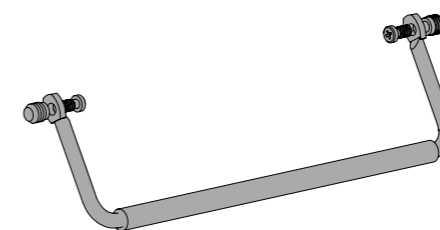
Space sleeve, set (2 pcs) (for telescopic frame)

	Colour	PU 1 pcs
	white	108 031 4
	silver	901 220 1



Crosswise railing, set (2 pcs), white connectors

	Colour	PU 10 pcs
for Cargo PC plus 300 mm unit width	white	108 030 8
	silver	901 219 5
	chrome	108 031 0
for Cargo PC plus 400 mm unit width	white	108 031 1
	silver	901 219 7
	chrome	108 031 3

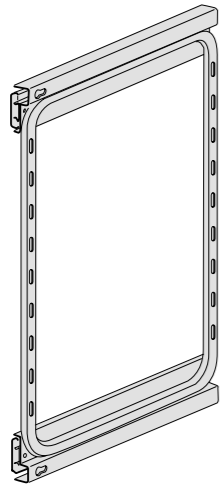


Stabilizer hoops, set (40 sockets, 40 screws, 20 hoops)

	Colour	PU 10 pcs
for Cargo PC plus 300 mm unit width	galvanized 16 mm	901 102 9
	galvanized 19 mm	901 102 7
for Cargo PC plus 400 mm unit width	galvanized 16 mm	901 103 1
	galvanized 19 mm	901 103 0



Cargo BSF AB plus Components



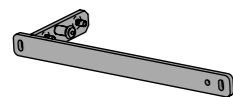
Cargo BSF AB plus frame complete with slide (use left or right)

Colour	Inside unit height					PU
	593 mm	607 mm	655 mm	718 mm	1135 mm	
white	900 731 0	900 731 3	900 731 6	900 731 9	900 732 2	10
	900 731 1	900 731 4	900 731 7	900 732 0	900 732 3	40
silver	901 132 7	901 132 8	901 133 0	901 133 2	901 133 4	10
	901 132 6	901 132 9	901 133 1	901 133 3	901 133 5	40

Cargo BSF AB plus frame complete with slide and integrated damping (use left or right)

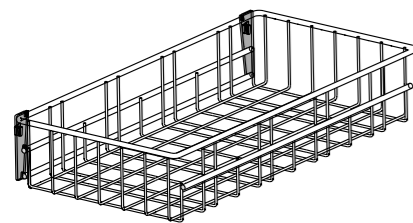


Colour	Inside unit height					PU
	593 mm	607 mm	655 mm	718 mm	1135 mm	
white	903 804 3	903 797 9	903 797 4	903 803 9	903 797 7	10
	903 804 2	903 797 8	903 797 3	900 803 8	903 797 6	40
silver	903 804 1	903 779 2	903 778 9	901 803 7	903 779 1	10
	903 804 0	903 779 4	903 779 0	901 798 0	903 792 1	40



Front attachment for 300 mm unit width (front attachment for 150, 200 and 250 mm unit widths on request)

	Colour	PU 20 pcs
35°	galvanized	900 650 1
45°	galvanized	900 650 5
90°	galvanized	900 650 2



Baskets for 300 mm unit width (baskets for 150, 200 and 250 mm unit widths and different front angles on request)

	Colour	Baskets left or right		
		PU 2 pcs	PU 3 pcs	PU 20 pcs
90°	white	108 003 0	108 003 3	108 003 5
	silver	901 321 5	901 321 6	901 321 8
	chrome	108 004 2	108 004 3	108 004 5

	Colour	Baskets right			Baskets left		
		PU 2 pcs	PU 3 pcs	PU 20 pcs	PU 2 pcs	PU 3 pcs	PU 20 pcs
35°	white	107 991 0	107 993 3	108 000 2	900 003 5	900 004 4	900 005 3
	silver	901 344 7	901 344 8	901 345 0	901 344 2	901 344 3	901 344 5
	chrome	107 993 2	107 993 5	108 000 9	900 003 7	900 004 6	900 005 5
45°	white	108 001 2	108 001 3	108 001 5	900 003 8	900 004 7	900 005 6
	silver	901 322 7	901 322 8	901 323 0	901 322 3	901 322 4	901 322 6
	chrome	108 002 2	108 002 3	108 002 8	900 004 0	900 004 9	900 005 8



Cargo PC plus Technical details

Unit dimensions

Minimum unit inside depth: 500 mm
Minimum unit inside width: 261 mm
No stabilizing cross struts required

Basket dimensions

Basket width for 300 mm unit: 250 mm
Basket width for 400 mm unit: 350 mm
Basket depth: 460 mm
Basket height: 86 mm

Frame

- Fixed frame for custom unit heights (inside height 1150 mm to 2280 mm)
- Telescopic frame (inside height 1150 mm to 2219 mm)
- Top and bottom: standard quick-connect assembly
- Frame, white and silver
- Same frame for all widths, minimizes inventory
- Identical frame for 70 kg and 120 kg slide, maximizes differentiation, minimizes inventory
- Simple front attachment and three-dimensional adjustment

Guide systems

- High-quality, robust design for 70 kg (Cargo PC 70 plus) or 120 kg (Cargo PC XL plus) total load capacity excluding full extension slides
- High lateral stability due to ball bearing slides at the top and bottom
- Secure front closure due to self-closing feature in top and bottom slides
- Silent System for soft closing action (optional)

Fittings

- Baskets, white, silver and chrome
- Accessories: bottle grid, insert tray, crosswise railing set, stabilizer hoops





Cargo BSF AB plus

Technical details

Frame

- Fixed frame for different unit heights (minimum inside heights 593 mm, 607 mm, 655 mm, 718 mm, 1135 mm)
- Frame, white and silver
- Same frame, left or right, for all widths, minimizes inventory
- Simple front attachment and three-dimensional adjustment for different unit widths
- Different front attachments (35°, 45°, 90°)
- Single front attachment for different doors (solid wood and frame doors))
- Custom front geometries (for example, Z-front)

Guide system

- High-quality, robust design, excluding full extension slides
- Sleek good looks thanks to concealed slide
- High lateral stability due to ball bearing slides at the top and bottom
- Secure front closure due to self-closing feature in top and bottom slides
- Silent System for soft closing action (optional)

Fittings

- Baskets, white, silver and chrome
- Baskets for different face angles and unit widths





Hettich Marketing- und Vertriebs GmbH & Co. KG
Postfach 1240 · D-32269 Kirchlengern · Phone +49 5223 77-0 · E-mail: info@de.hettich.com
www.hettich.com